

NEW

Titus+

Tekform Slimline+ Drawer

New Slimline drawer with enhanced 3D adjustment





**Enhanced front panel
engagement**



**Smooth and effortless
performance**



3D drawer front alignment



Push-to-open compatible



Tekform Slimline+ Drawer

Easy to install

Slimline+, the 2nd generation Tekform drawer brings improved functionality and ease of use. Featuring a 3D adjustment mechanism, it allows for precise height, side, and tilt adjustments, all accessible at the front of the drawer. This innovative design simplifies installation and ensures uniform gap layouts.

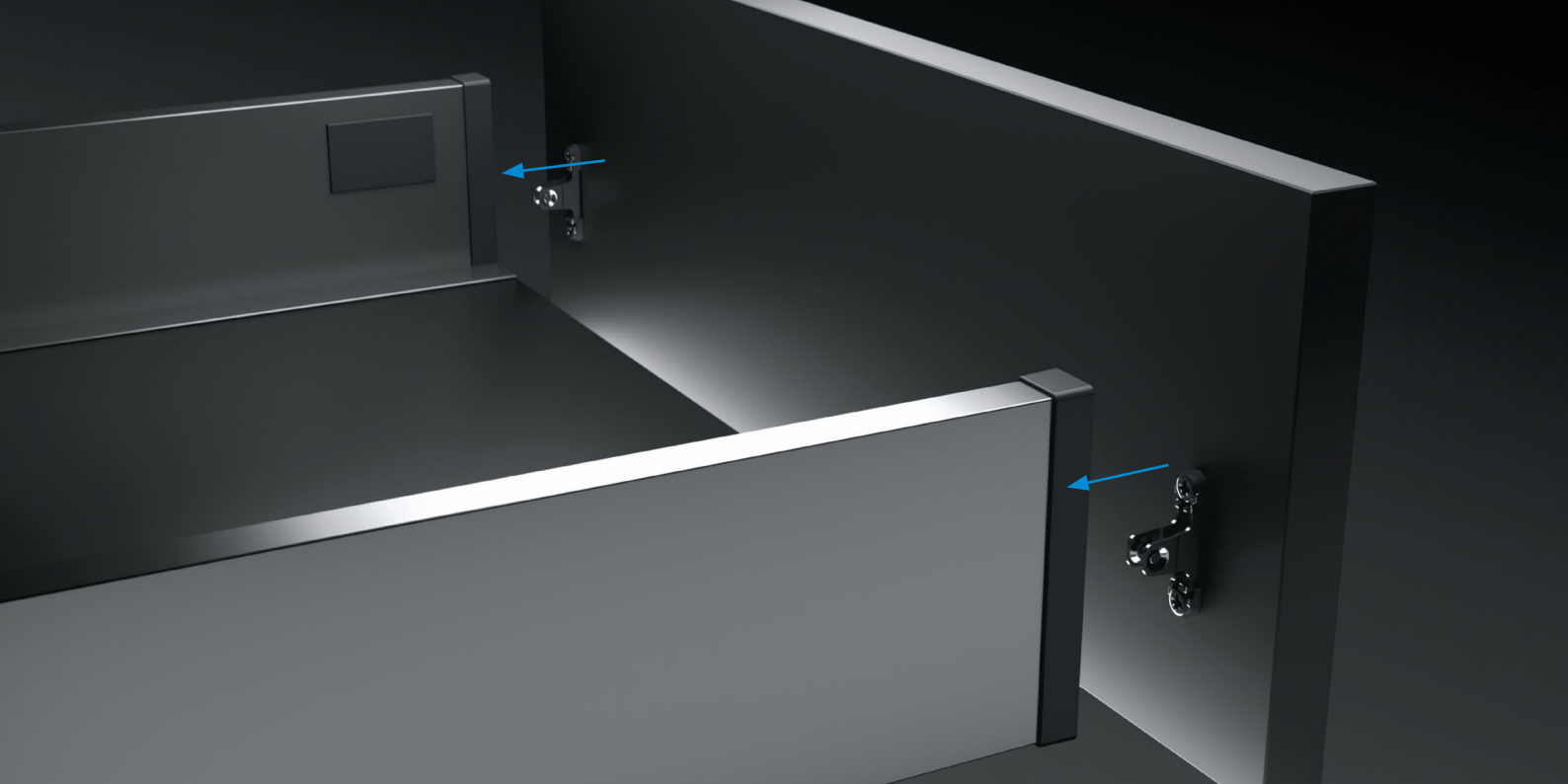
The upgraded clipping mechanism guarantees reliable front panel engagement and easy disengagement.

Titus Damper Inside

Equipped with our latest ART damper, the Slimline+ offers smooth, controlled movement, effortless drawer opening, and lifelong consistent damping.

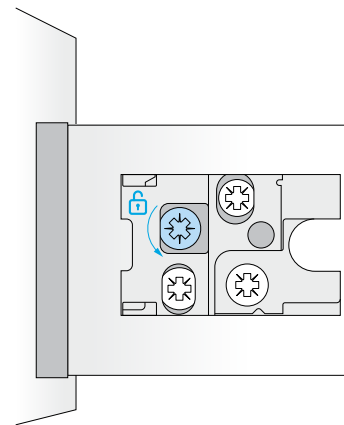
Tacto push-to-open system

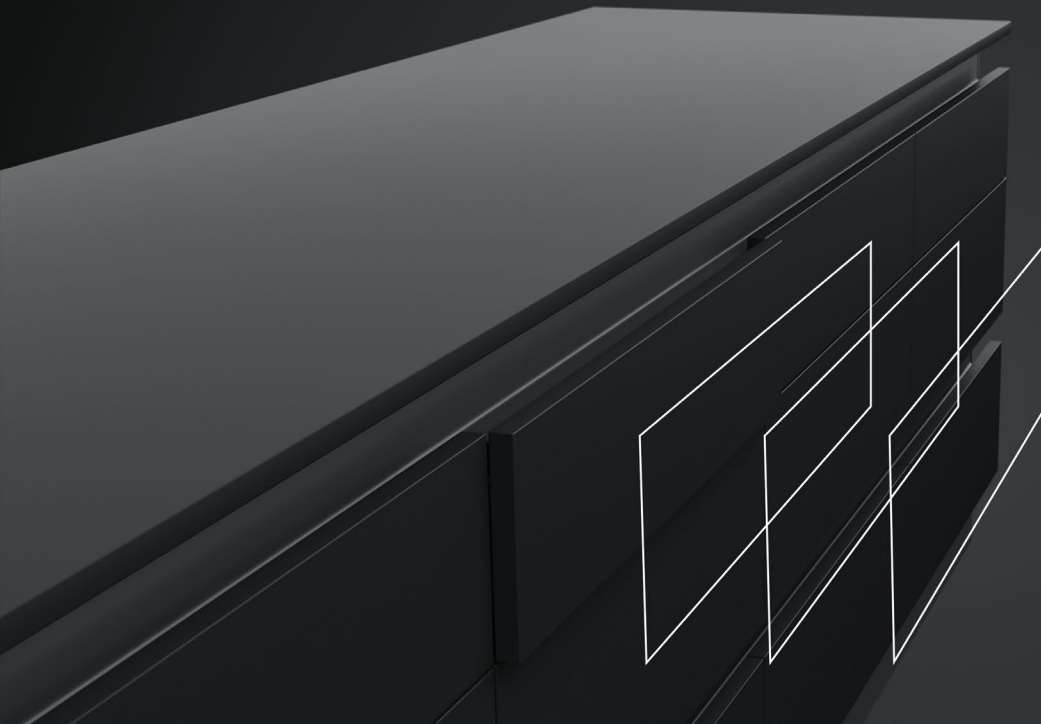
The drawer runners are compatible with the new Tacto 2.0 push-to-open system, which can be retrofitted at any time. This feature makes the Slimline+ drawer fit perfectly with contemporary furniture trends of handleless drawers.



Enhanced front panel engagement

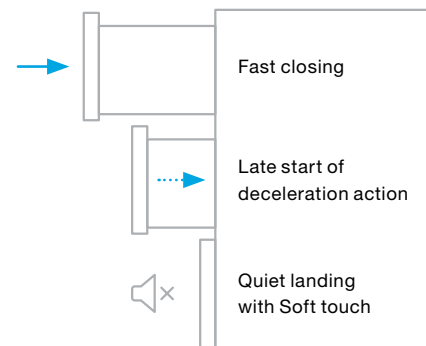
- Designed for easy installation and reduced assembly time
- The enhanced clipping mechanism optimises engagement with front panels of different dimensions and weights
- Easy and intuitive front panel disengagement





Smooth and effortless performance

- Titus Damper inside with Adaptive Response Technology (ART) for smooth and controlled movement
- Comfortable drawer opening and consistent closing
- Soft, silent, and bounceless damping action

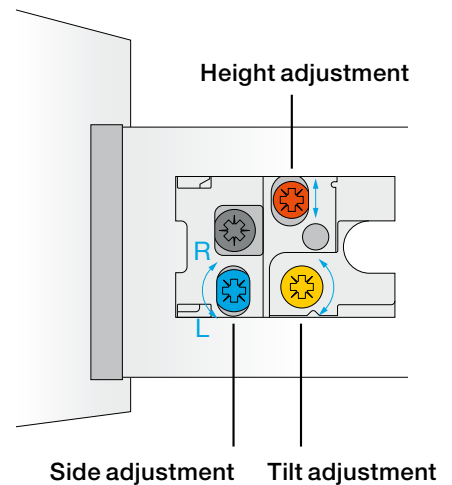


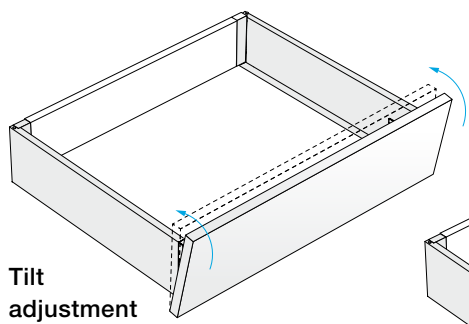
Tilt adjustment



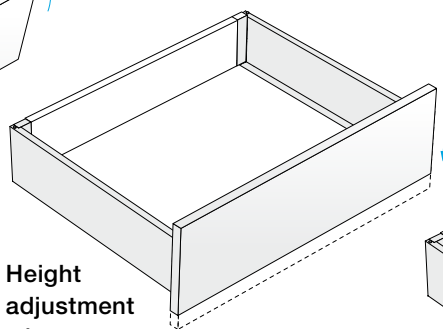
3D drawer front alignment

- Precise height, side, and tilt adjustment of drawer front
- Adjustment mechanism is conveniently located at the front of the drawer for easy access
- Simple, colour-coded adjustment process

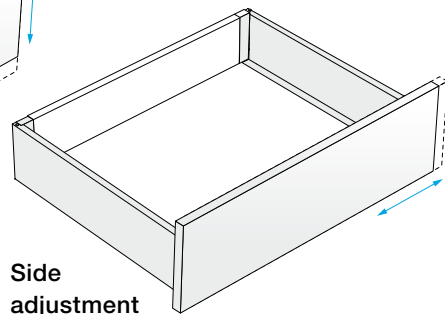




**Tilt
adjustment**

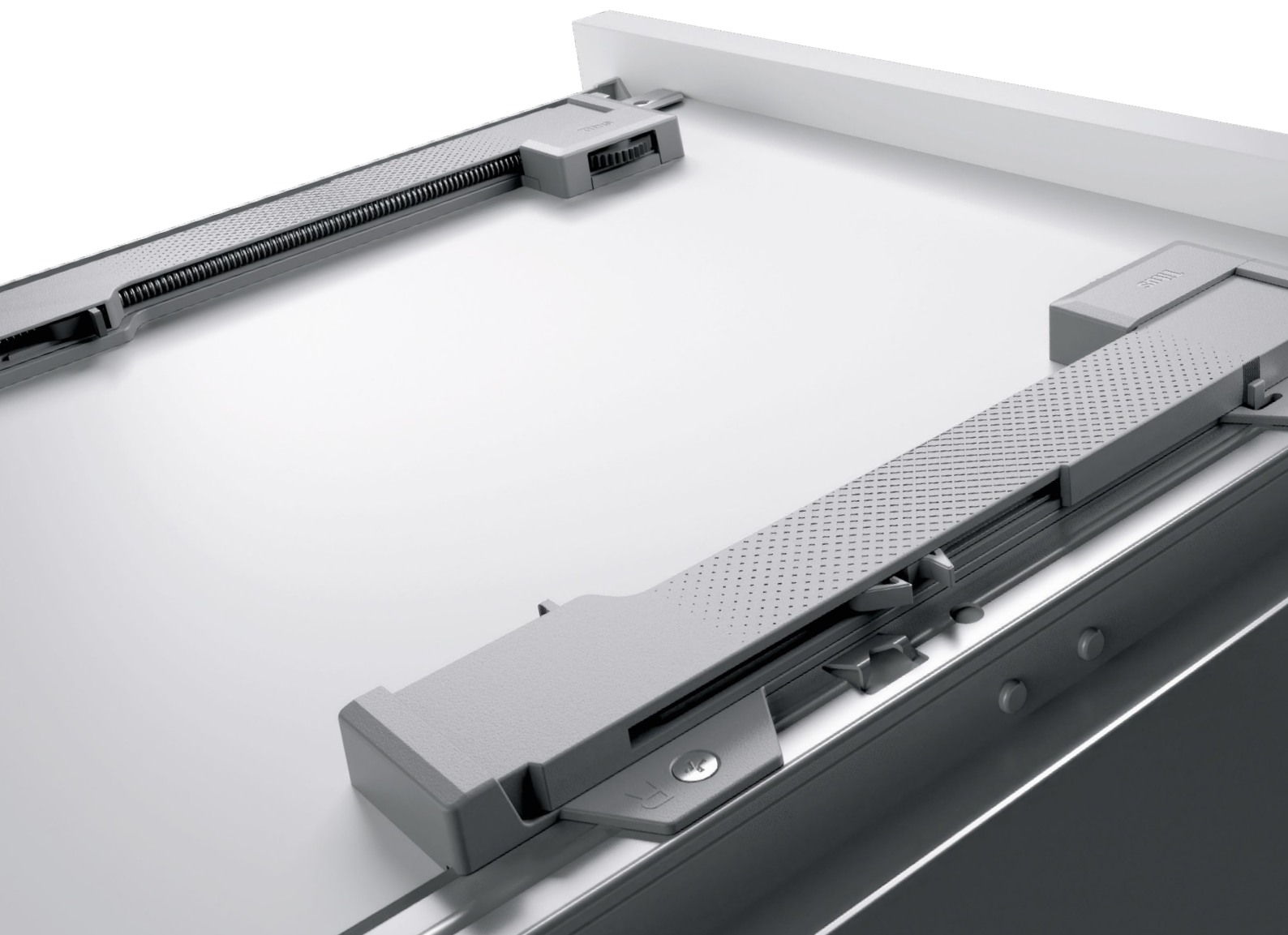


**Height
adjustment
+/-1.5mm**



**Side
adjustment
+/-1.5mm**

Tacto 2.0



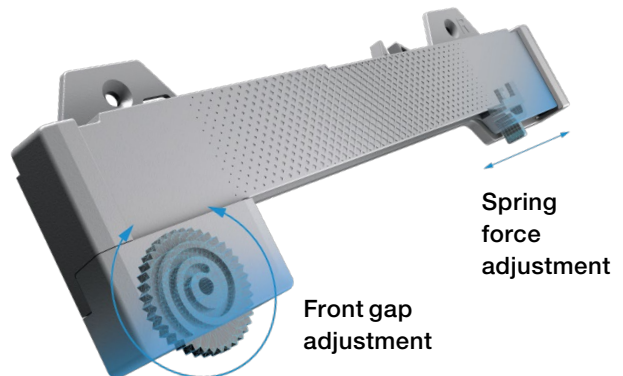


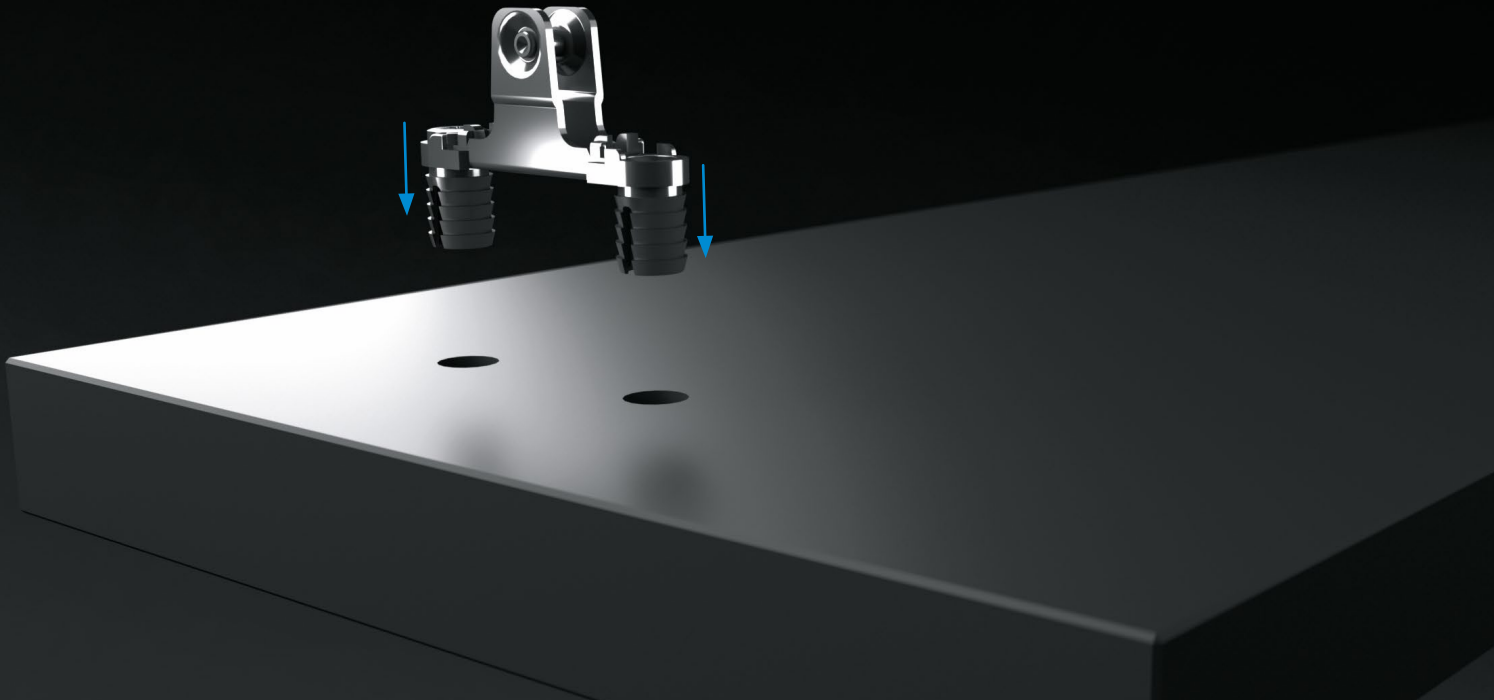
Push-to-open compatible

- One Tacto mechanism for Slimline+ drawers from 300mm nominal lengths, now bringing push opening into bathrooms
- **One-for-all:** same runner for both standard and Tacto push-to-open applications
- Tacto can be added as a retrofit option at any time after drawer assembly

New push-open system

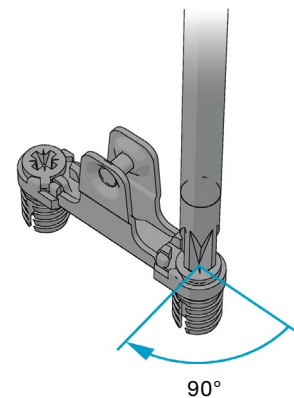
- Narrow 1.5mm operating gap
- Evenly aligned drawer fronts thanks to new **front gap adjustment**
- **Spring force adjustment** ensures comfortable and consistent drawer opening with a light push



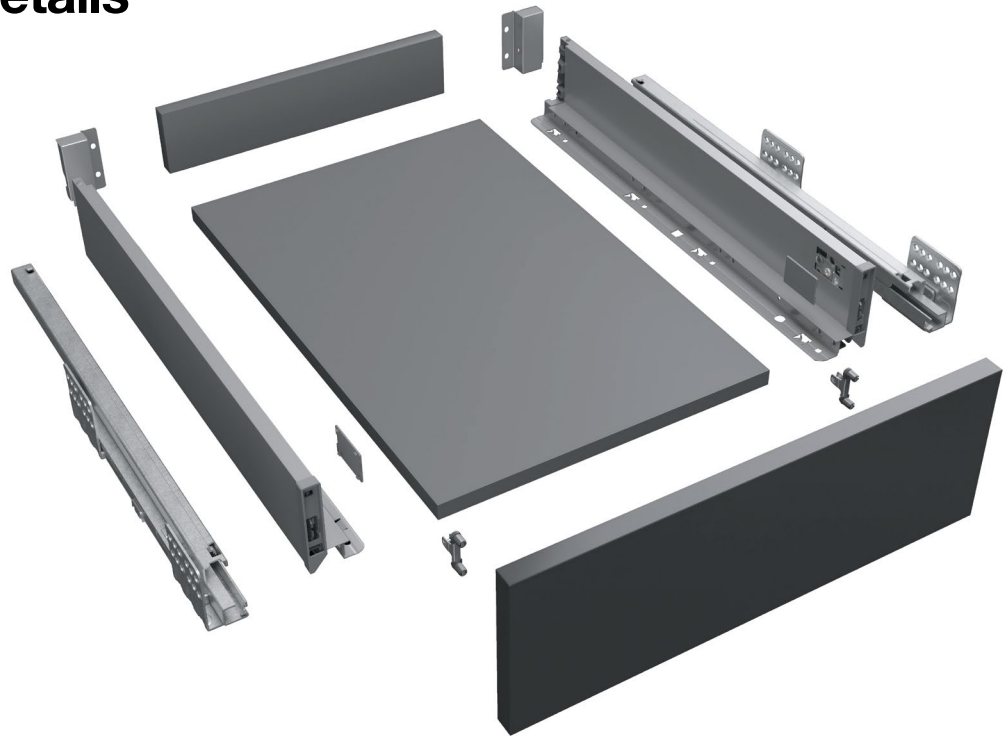


EasyFix front connector

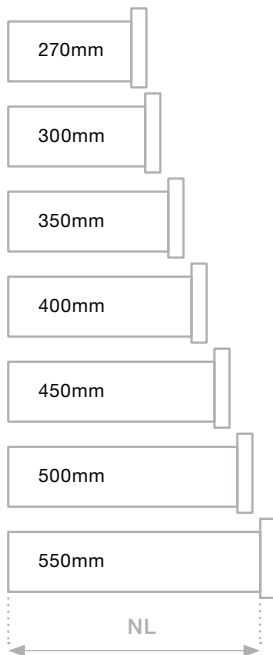
- EasyFix front panel connector enables simple hand insertion and comfortable locking action at a 90° turn of screwdriver
- Expando function ensures firm, reliable, and repeatable front attachment
- Front panel connector also available as a screw-in option



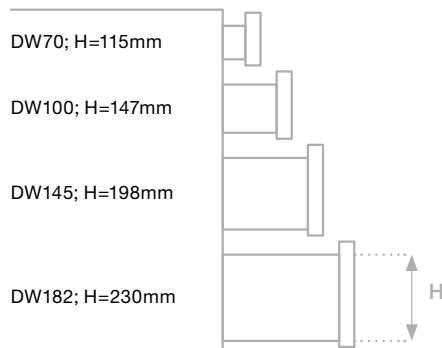
Technical details



Drawer nominal length (NL)



Min. height required (H)



Drawer load capacity

Titus+

Titus Group / titusplus.com

