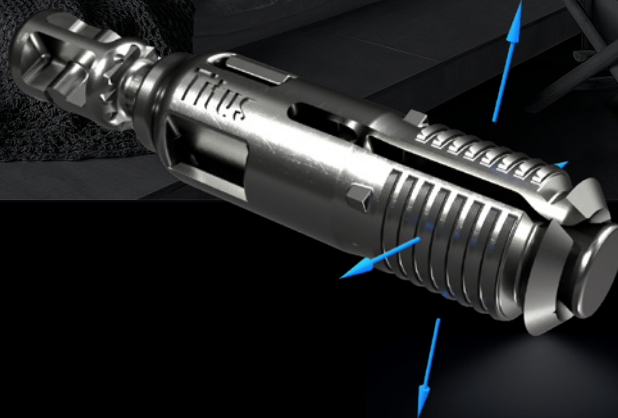


Titus+



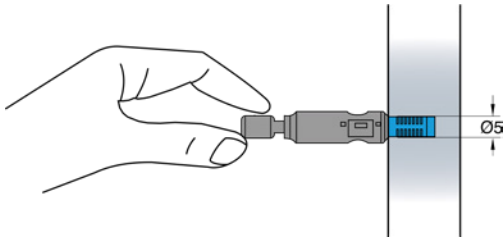
Full Metal Jacket

High performance Quickfit dowels
with great resistance to dowel
pull-out

Quickfit TL5 dowel

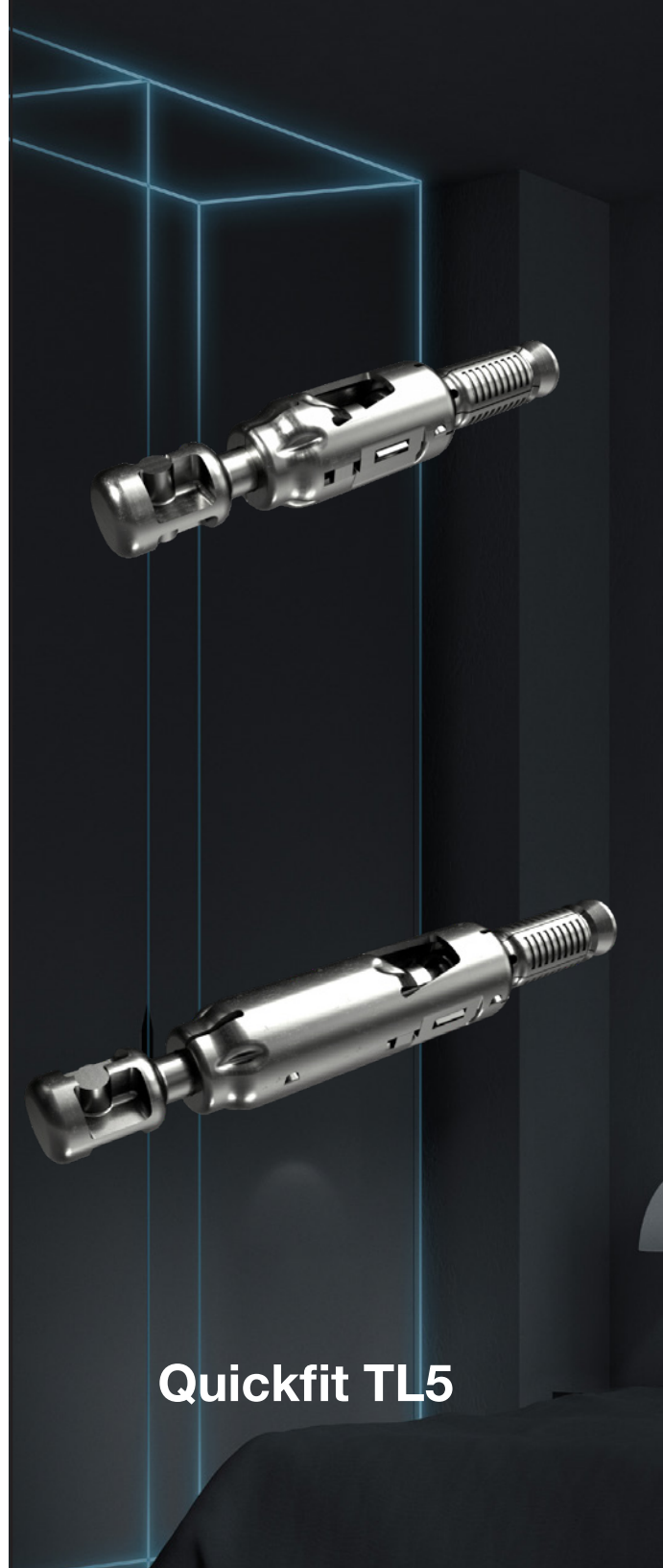
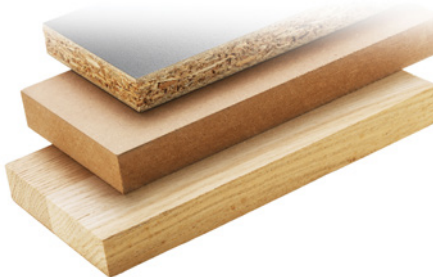
Quick and easy tool-free insertion for 5mm dowel holes

- Expandable metal sleeve for reliable engagement and optimal strength
- It enables the usage of tool-less Quickfit dowel insertion technology across a wide range of applications in RTA furniture



Effective performance in multiple wooden materials

- Optimal strength and effective performance in MDF, chipboard and solid wood
- Provides rigid cabinet construction that does not loosen in time



Quickfit TL5

Quickfit TL8 dowel

High performance dowel for heavy duty applications

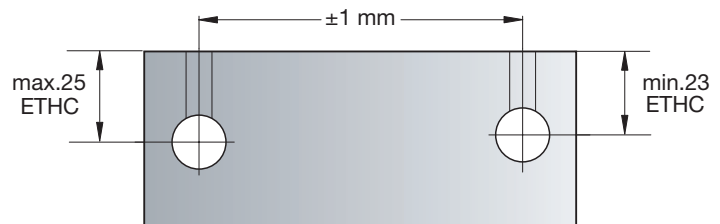
Strong and reliable joint

- An expanding sleeve assures high resistance to torsion and dowel pull-out
- A unique design makes it an ideal solution for large cabinets with thicker panels, wardrobes and other applications where structural rigidity is essential
- Reliable and rigid engagement in $\varnothing 8\text{mm}$ dowel holes

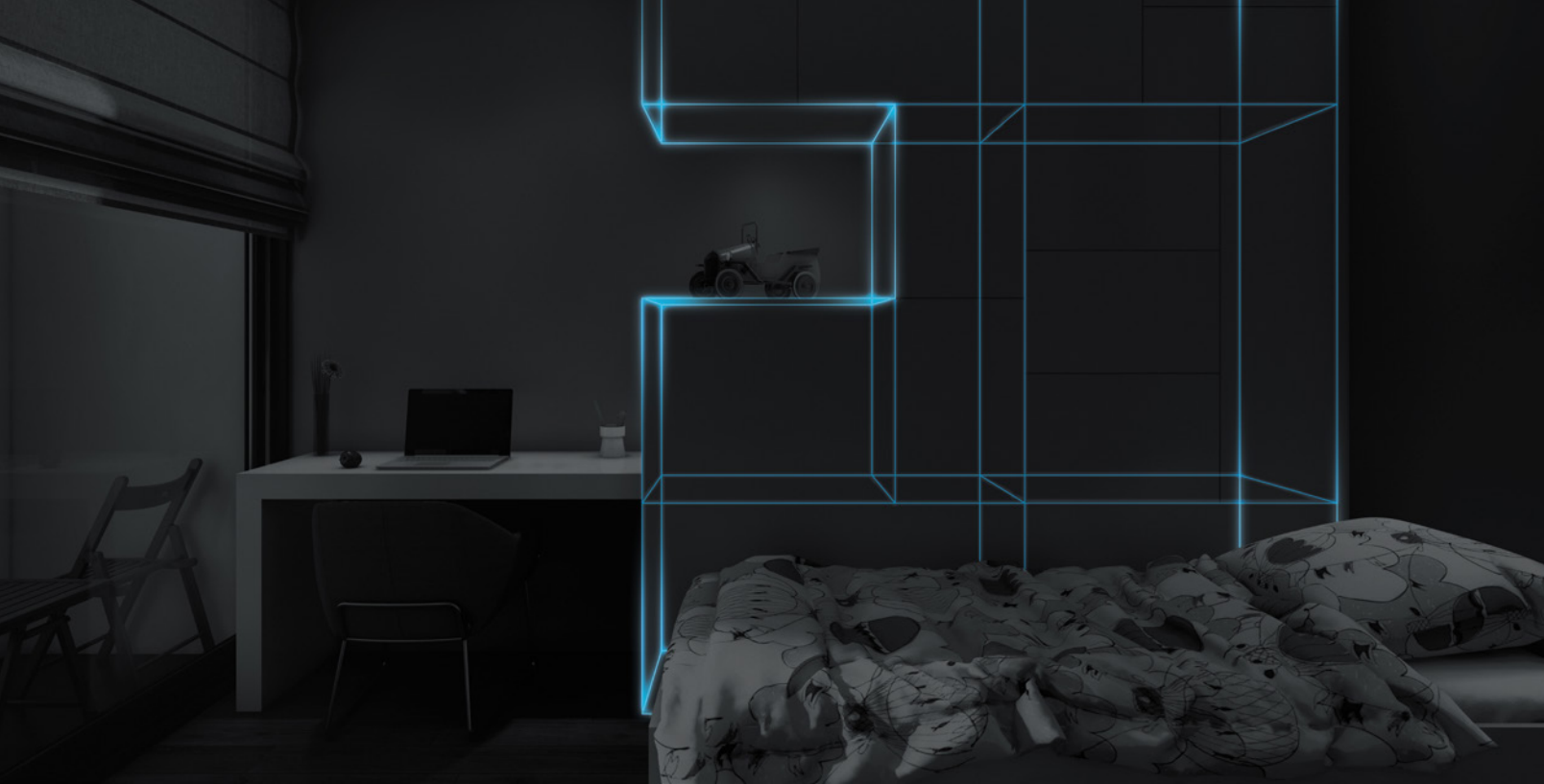


High drilling tolerances

- Quickfit TL8's self adjustment feature provides $\pm 1\text{mm}$ tolerance to drilling inaccuracies ensuring consistently strong joint



Quickfit TL8



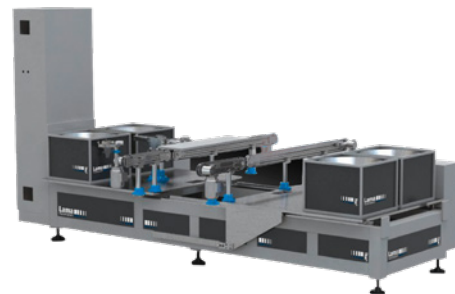
Titus CAF

Quick and easy home assembly of cabinets

- Expandable metal sleeve for reliable engagement and optimal strength
- It enables the usage of tool-less Quickfit dowel insertion technology across a wide range of applications in RTA furniture

CAF Quick & Easy

Consumer Assembly Friendliness



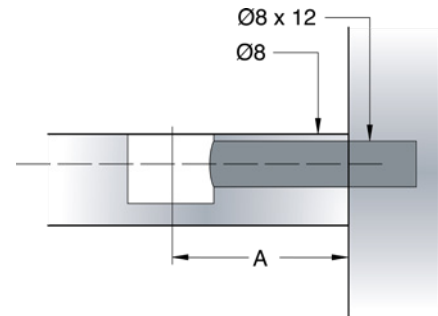
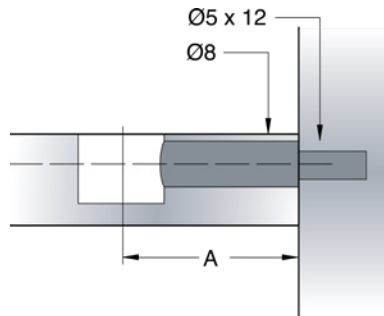
Lama FastFit machine

Technical details

Quickfit TL5

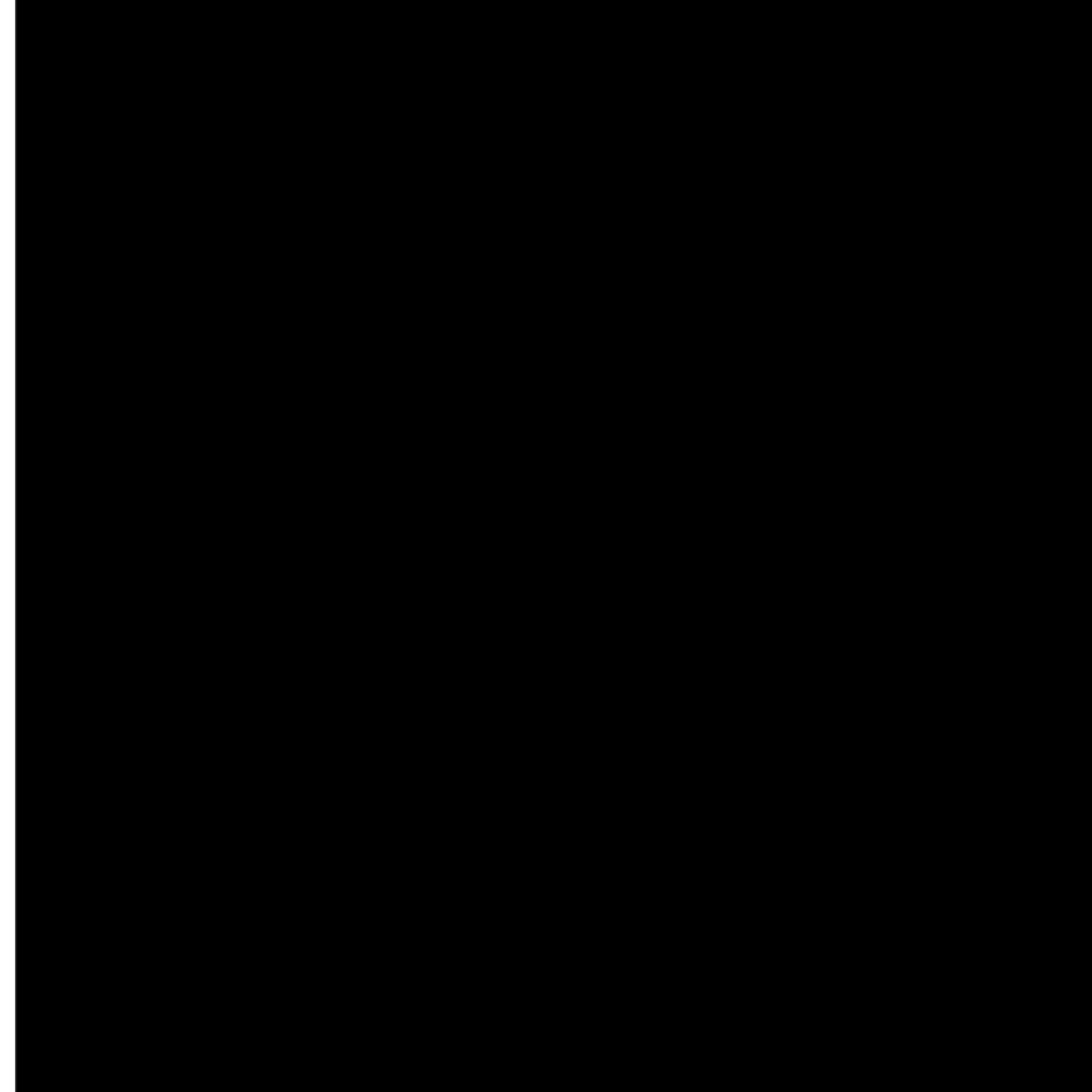
Quickfit TL8

Hole diameter	5mm	8mm
Length ETHC (edge-to hole- centre) -A	24mm, 34mm	24mm
Insertion type	tool-free only	tool-free only
Application	manual insertion, factory insertion	manual insertion, factory insertion
Cams	works only with Cam5000	works only with Cam5000
Drilling specification	Hole diameter (face board) = $\varnothing 5$ mm Hole depth = min. 12.5mm Hole diameter (edge board) = $\varnothing 8$ mm	Hole diameter (face board) = $\varnothing 8$ mm Hole depth = min. 12.5mm Hole diameter (edge board) = $\varnothing 8$ mm



Engineered for Purpose

Titus is committed to providing its customers with products and services that improve their competitiveness, while reducing manufacturing and assembly costs.



Titus+

Titus Group / titusplus.com

