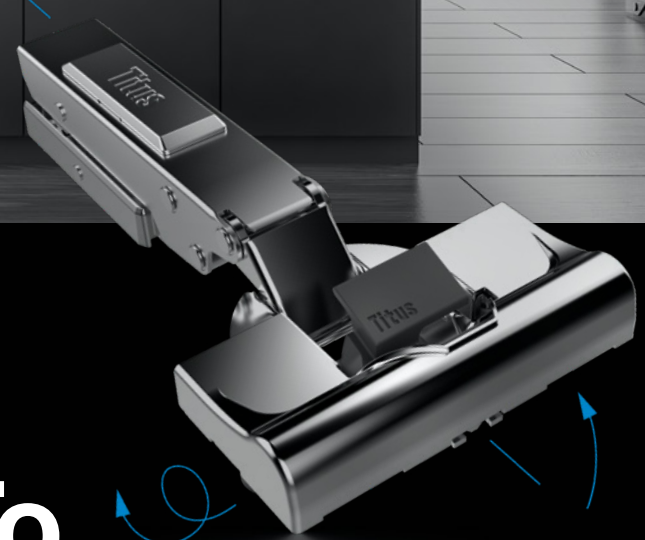


NEW

Titus+



T-type PressTo

Quick and easy hinge mounting with toolless hinge cup





**Confident hinge
cup locking**



**Reliable hinge-to-door
attachment**



3Way snap-on



**Strong and highly
tolerant hinge**

T-type PressTo hinge

T-type PressTo is the latest addition to our T-type hinge family. It features a toolless hinge cup fixing system for quick and easy hinge mounting. Paired with 3Way hinge-to-plate mounting, it ensures the fastest cabinet assembly.

The locking of the hinge cup is easy and requires low effort to press. An audible click when pressed to lock indicates confident and reliable hinge cup attachment to the door.

T-type PressTo has all the advantages of T-type hinges. Its sturdy design assures consistent door closing and reliable performance throughout the cabinet lifetime.

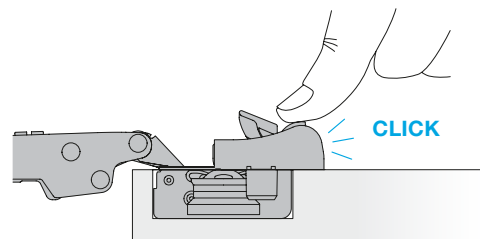
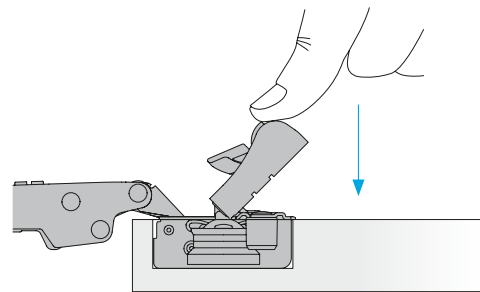
It provides simple, user-friendly mounting and, together with our 3Way snap-on hinge-to-plate mounting system, significantly shortens assembly time.

It is available in a nickel-plated and trendy dark Noir finish.



Confident hinge cup locking

- Hinge is simply inserted into a cup hole and installed with a hand pressure without tools
- An audible click confirms the secure locking action





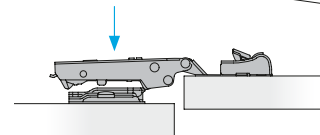
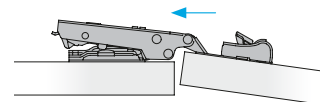
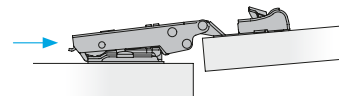
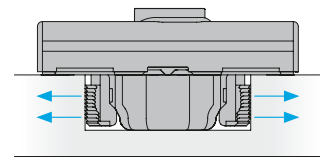
Reliable hinge-to-door attachment

- The expanding anchors on the hinge cup sides ensure a tight and reliable connection to the door
- Secure fixing in chipboard, MDF, and solid wood



3Way snap-on

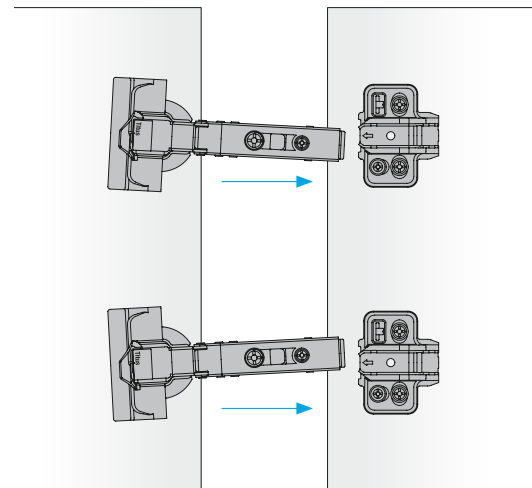
- Easy mounting ensured even for tall cabinet doors with multiple hinges
- Intuitive hinge-to-plate mounting in three directions (rear, front, or top)
- Reduces cabinet assembly time





Strong and highly tolerant hinge

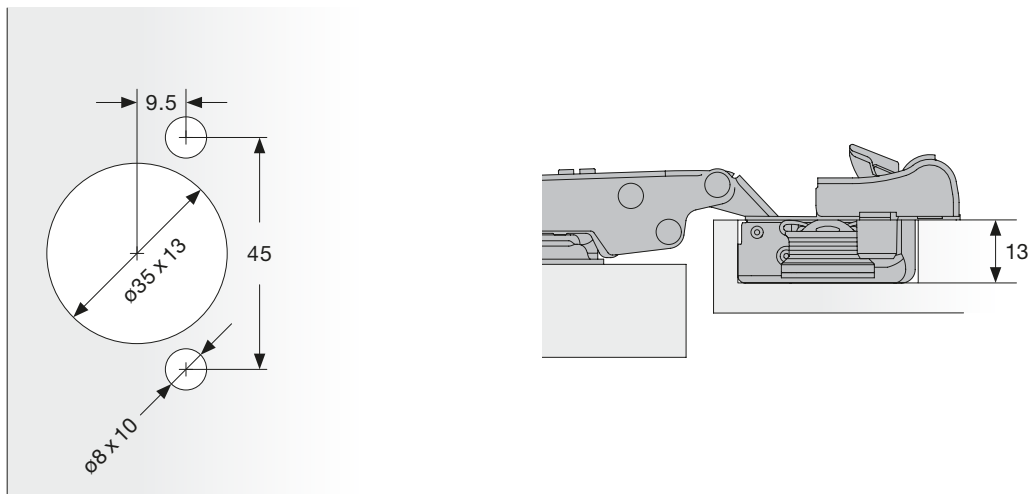
- Hinge-to-plate attachment assures stability and rigidity
- Efficient performance in extended fixing tolerances
- Reliable door closing and opening, even in case of accidental misalignments
- Delivers a consistent performance for up to 200,000 cycles throughout its lifetime



Technical details

Hinge type	with and without damping
Opening angle	110°
Hinge cup drilling depth	13mm
Hinge cup drilling pattern	45/9.5mm with ø8mm side holes
Hinge constant	13mm
Door tab K	3-6mm
Maximum overlay	19mm
Hinge arms	0mm, 5mm, 9mm, 17mm
Cup fixing	toolless
Mounting plates	all T-type mounting plates
Side adjustment	-3/+1mm
Height adjustment	-2/+2mm
Depth adjustment	-4/+1mm

Hinge cup drilling pattern



Titus+

Titus Group / titusplus.com

