

Titus+

# Push Latch S3

Consistent performance  
with soft push opening





## **Engineered for soft and silent push opening**

Push Latch S3 is designed for handleless cabinet doors across kitchens, living spaces, and office furniture. It delivers a soft, silent, and bounceless opening experience, enhancing both user comfort and cabinet longevity.

With demand for cleaner design and streamlined production, Push Latch S3 offers a solution that meets both: reliable push-to-open performance and mounting options that adapt to different cabinet styles and manufacturing processes.



**Soft and silent push opening**



**Door gap adjustment**



**SafeGuard mechanism for added safety**



**Three intuitive mounting options**



# **A system built for performance, safety, and integration**

## **Soft push opening**

Push Latch S3 builds on the proven performance of its predecessor with a refined soft push opening system, protecting the cabinet and enhancing user comfort through smoother door movement. The integrated damper controls the outward motion, ensuring the door opens softly, silently, and without rebound.

## **Consistent activation**

To maintain consistent performance across different cabinet setups, the door gap adjustment feature allows precise fine-tuning of the push mechanism and reliable activation every time.

## **Built-in safety**

The SafeGuard mechanism on the adjustment button prevents removal, supporting safety in use.

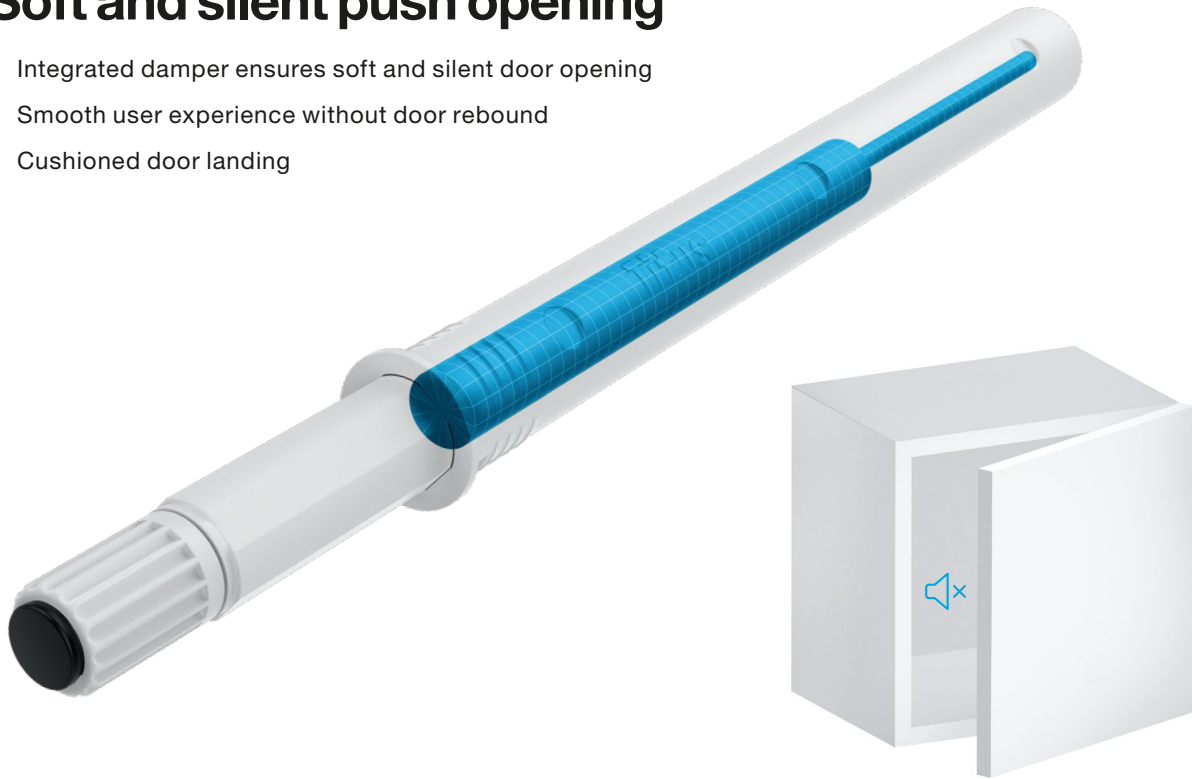
## **Compact, discreet and versatile**

Push Latch S3 supports three mounting styles - drill-in, surface-mounted and routed-in - making it adaptable to a wide range of cabinet designs and installation techniques. This versatility enables manufacturers to apply the Push Latch S3 confidently across different production processes.



## Soft and silent push opening

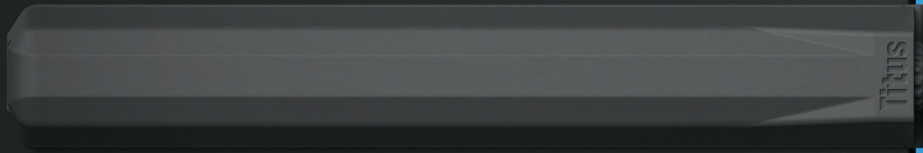
- Integrated damper ensures soft and silent door opening
- Smooth user experience without door rebound
- Cushioned door landing



**Titus damping  
technology** <<<<

### **Titus hydraulic damping technology**

The Push Latch S3 features Titus Damper Inside, our proprietary multipurpose damping technology.

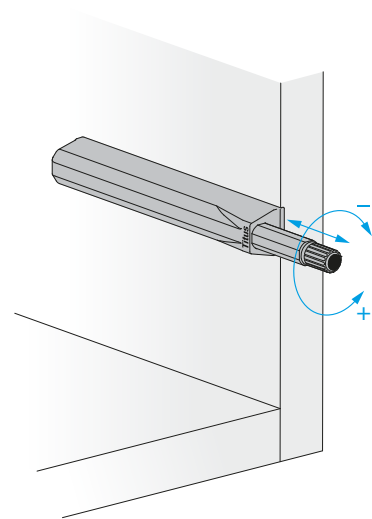


minimum activation gap required 2mm

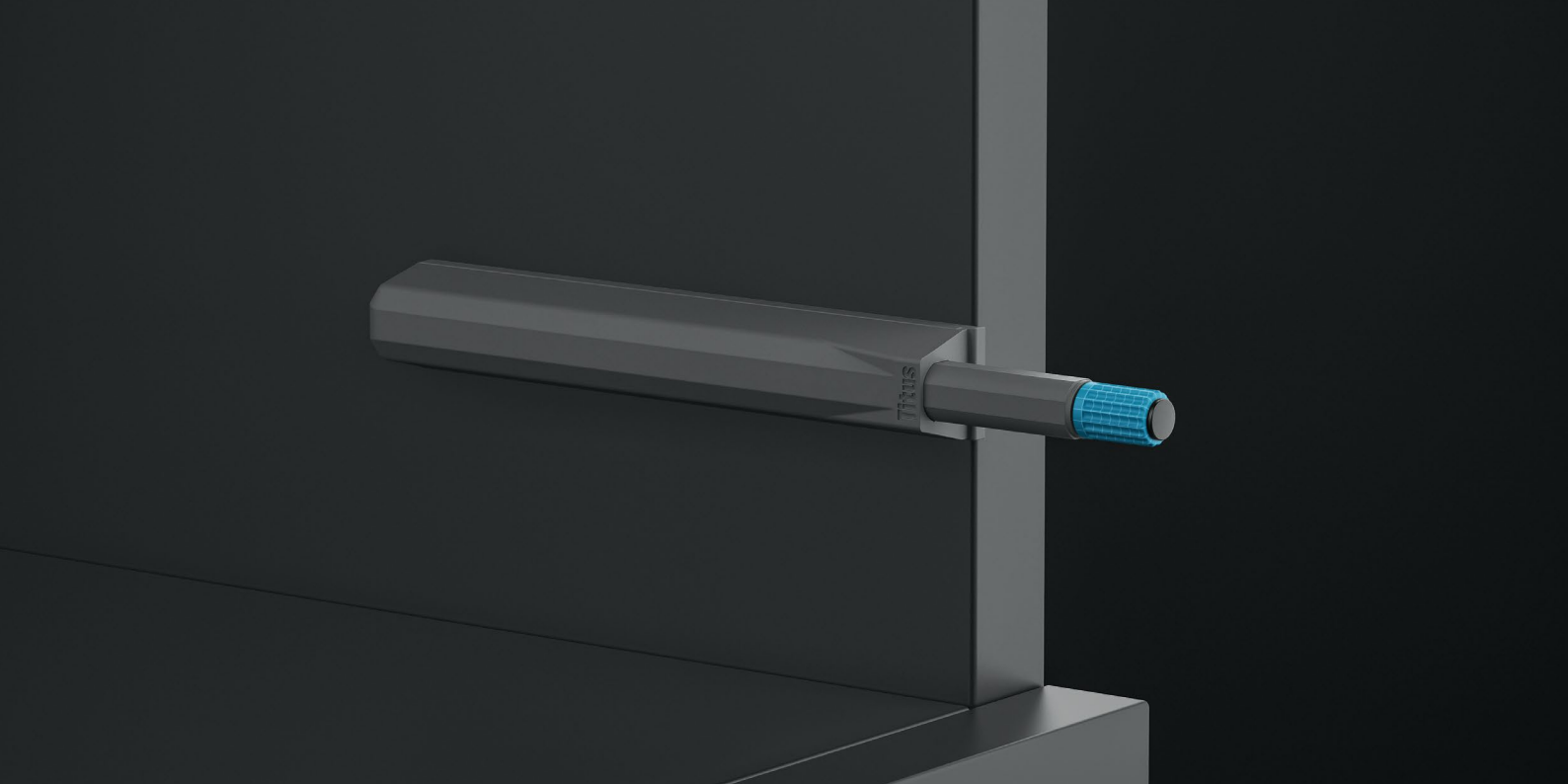


## Door gap adjustment

- +3.5mm adjustment range for assured action
- Reliable push-to-open activation
- Uniform spacing and aligned gaps between cabinet and door



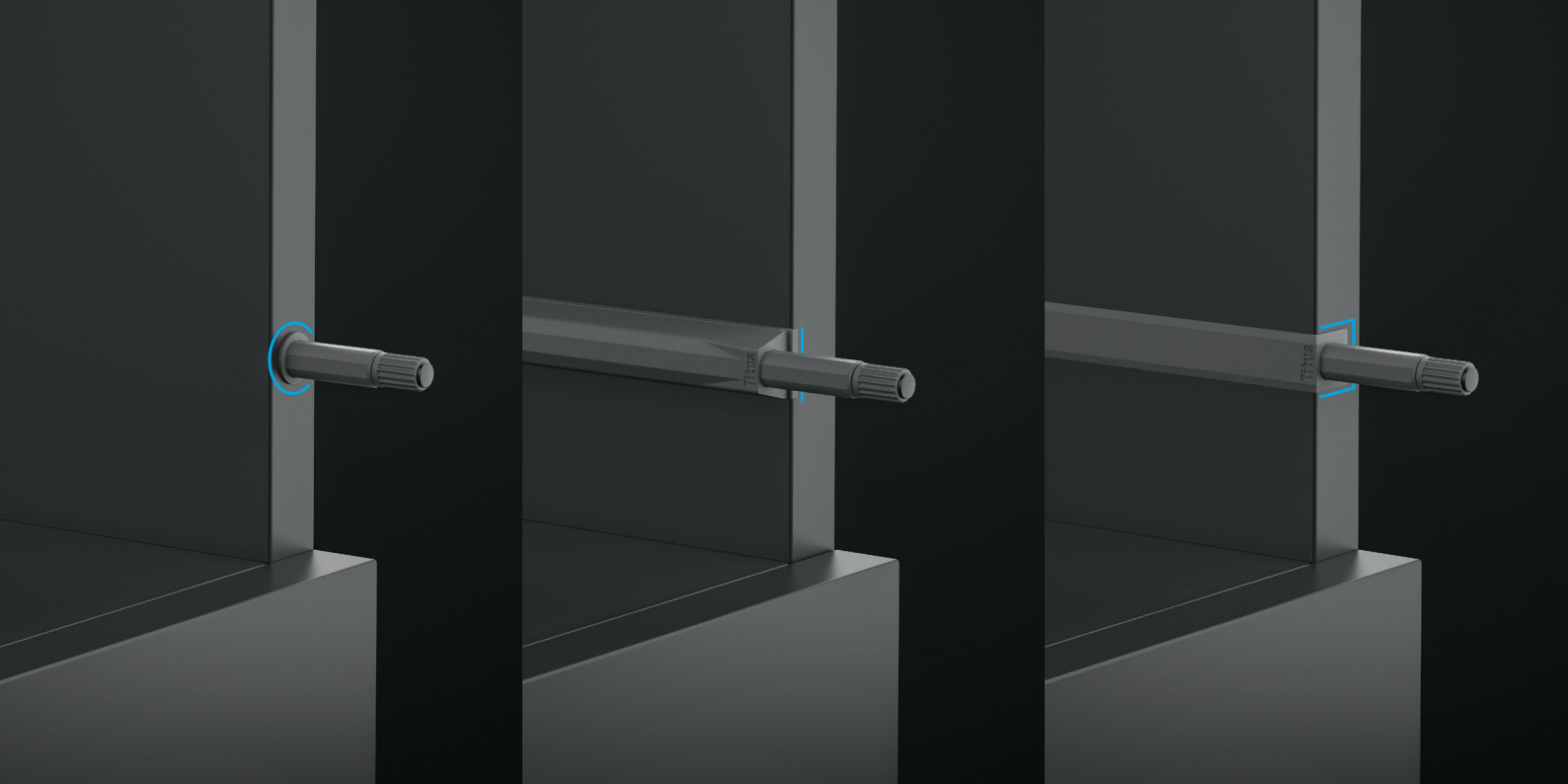
adjustment range -0/+3.5mm



## **SafeGuard mechanism for added safety**

- Integrated SafeGuard mechanism on adjustment button
- Non-removable





## Intuitive mounting

- The **positioning lip** works as a **mounting guide**
- Accurate positioning
- Simplicity in use assured

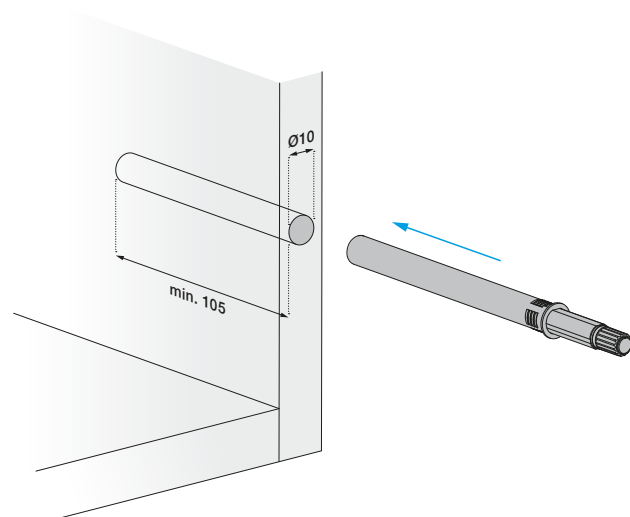
# Three mounting options

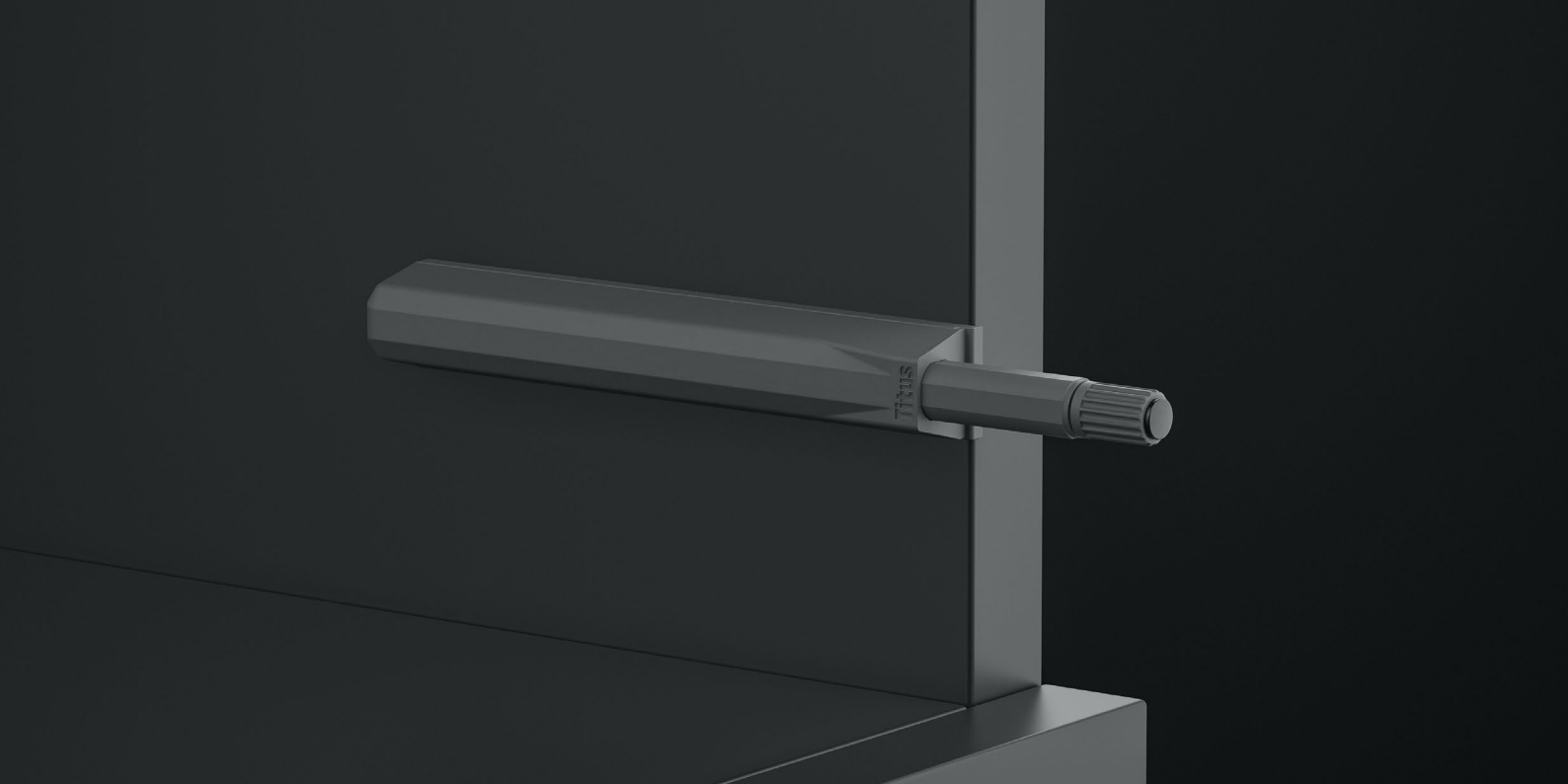
- Three mounting styles support different installation techniques
- Flexible fit for various production processes used by furniture manufacturers
- Compatible with multiple cabinet designs



## Drill-in

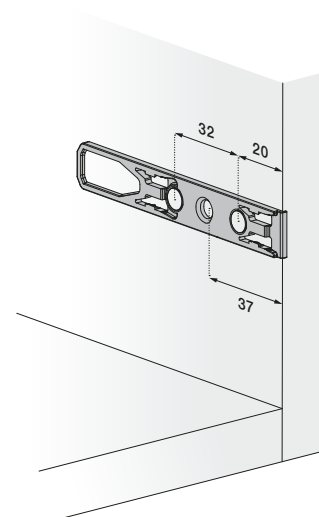
- Fits into  $\text{Ø}10\text{m}$  hole
- Recessed and concealed within the cabinet carcass
- Ideal for discreet integration





## Surface-mounted

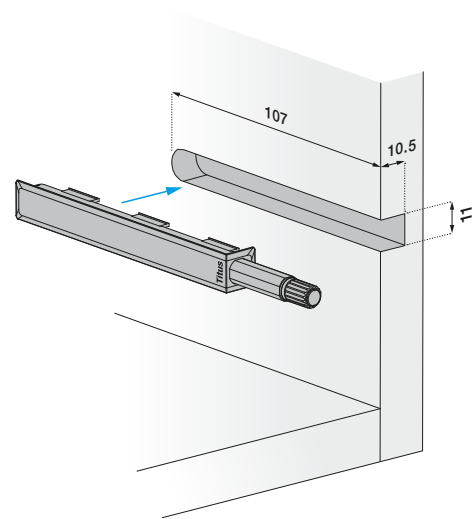
- Positioning lip on the mounting plate guides accurate placement
- In case of accidental hit, the mechanism detaches from the mounting plate
- The mechanism is easily reattached without tools

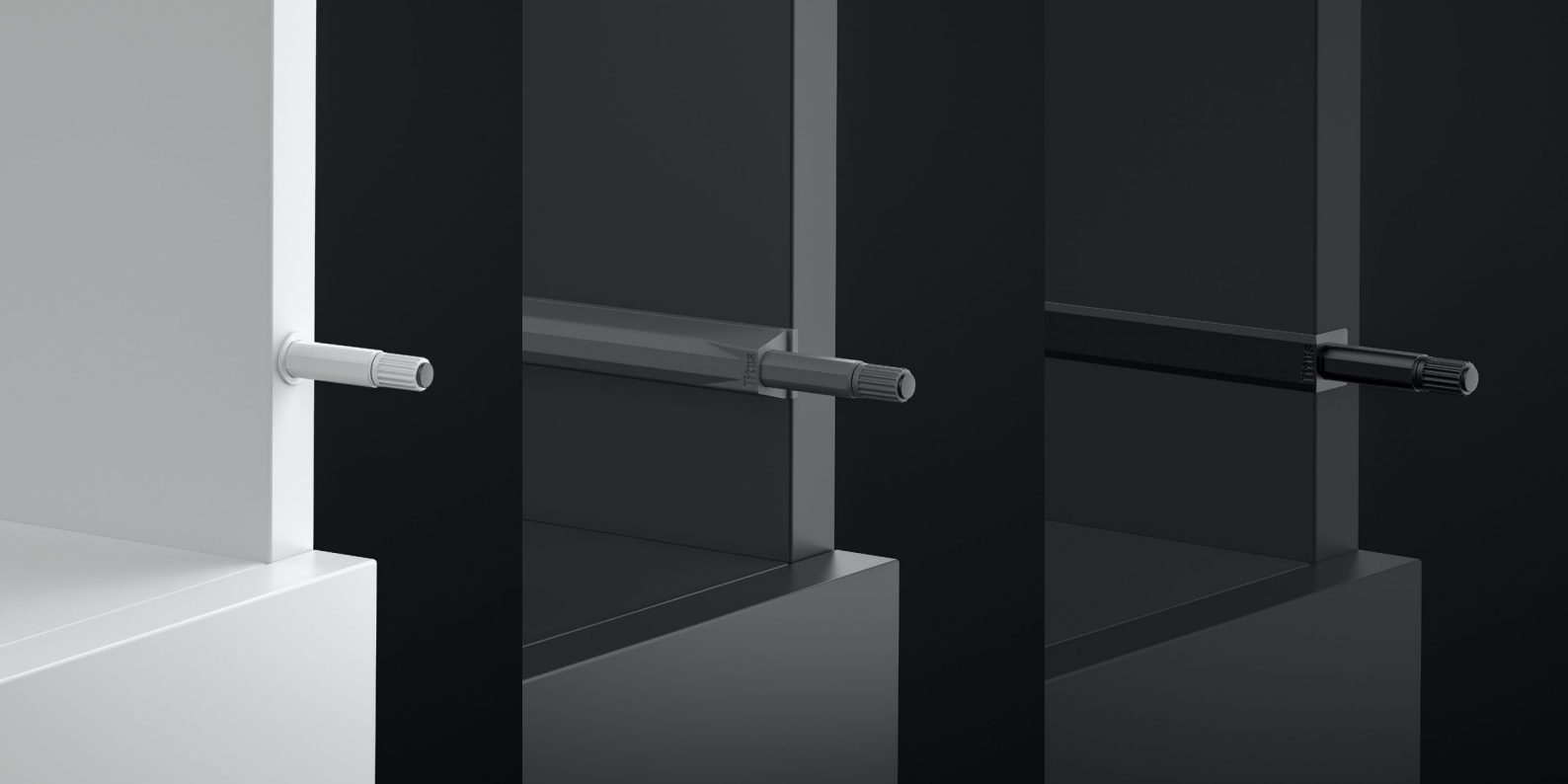




## Routed-in

- Designed for installation in a routed groove
- Push-and-lock-in mounting
- Flush fit for seamless cabinet integration





## Colour options

Available in **dusty white, anthracite, and black**, Push Latch S3 blends seamlessly into a wide range of cabinet designs - supporting both modern and classic interiors with neutral tones that preserve visual harmony across product lines.

## **Engineered for Purpose**

Titus is committed to providing its customers with products and services that improve their competitiveness, while reducing manufacturing and assembly costs.





**Titus Group / [titusplus.com](https://titusplus.com)**