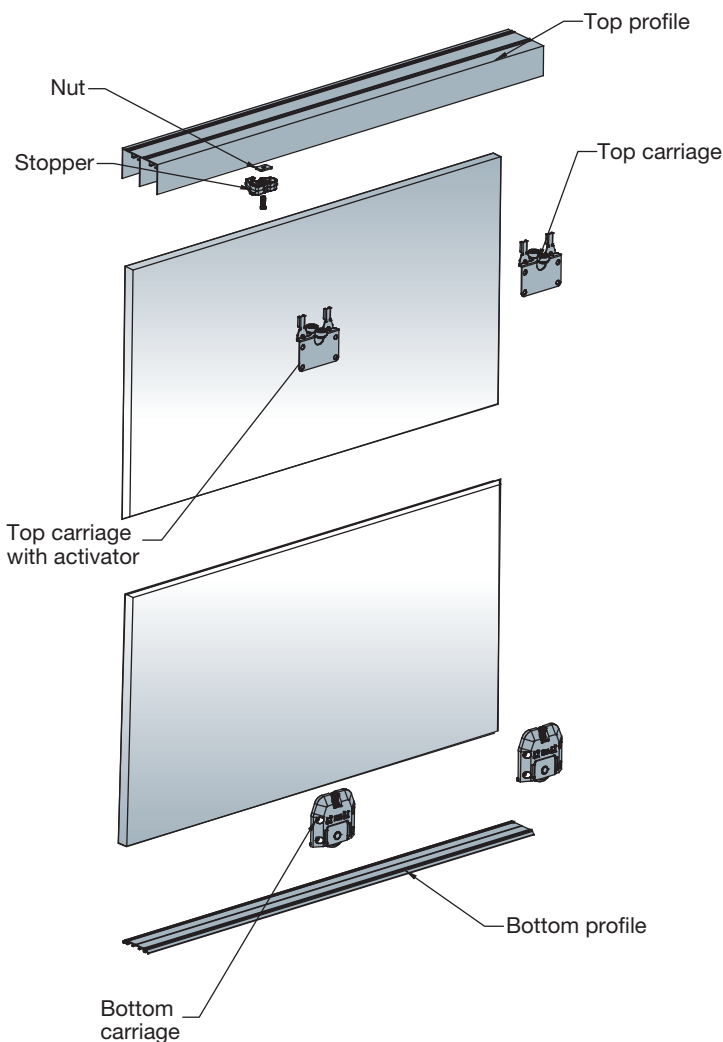
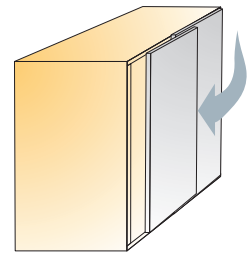


Set 200s

Sliding Door Mechanism

For bottom running sliding door systems



20 sets (610-9099-040-K1)

15 sets (610-9099-040-K2)

i Rails and accessories are not included in the set. Please order separately!

Rails



Accessories



Item number for set

Set for 2-doors

Set for 3-doors

610-9099-040

K1

K2

Set consists of the following components

Bottom carriages



4 pcs

6 pcs

Top carriage



2 pcs + 2 pcs

3 pcs + 3 pcs

Stopper



4 pcs

6 pcs + 1 pcs

Slot nut



4 pcs

8 pcs

Screw M4 x 16



4 pcs

8 pcs

Pan head screw



32 pcs

48 pcs

Self adhesive tape

5 pcs

5 pcs

Mounting instructions

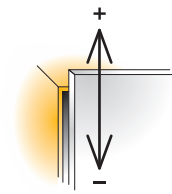


1 pc

1 pc

- Door weight max. 50kg
- Door thickness 18-23mm
- Door material wood (chipboard, MDF, solid wood)

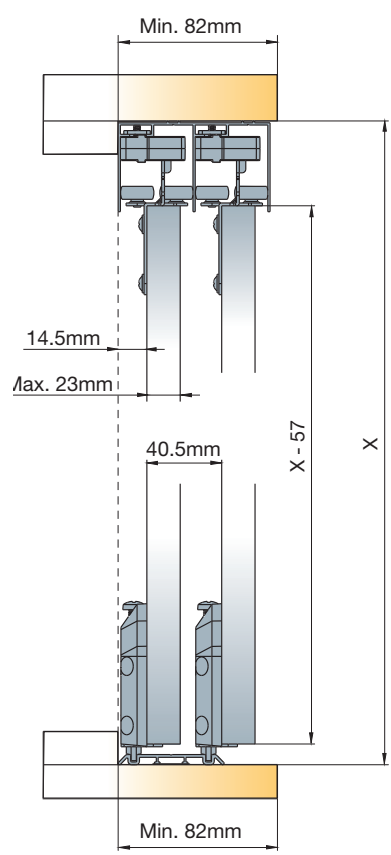
Door adjustment



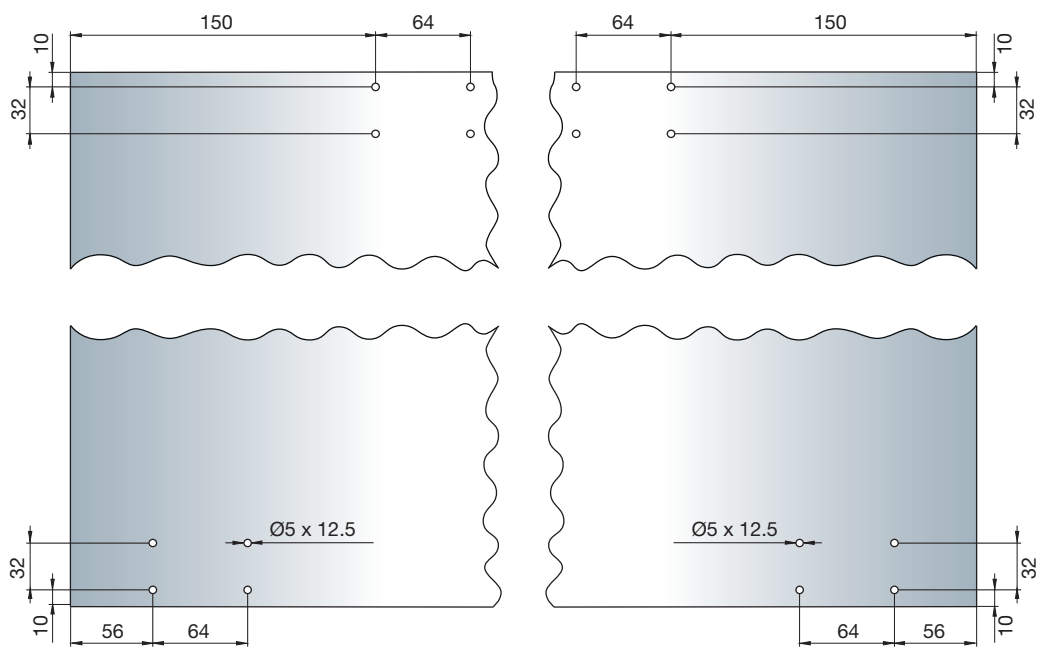
Height adjustment
-0/+10mm

Mounting details

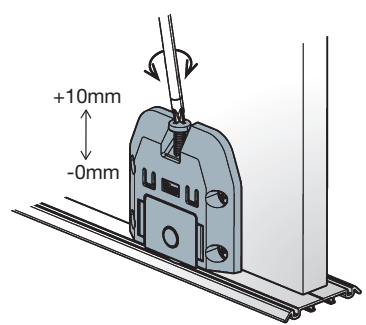
Technical details



Top and bottom carriage drilling positions



Height adjustment



Bottom carriage is factory preset to the lowest value.


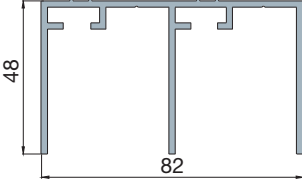

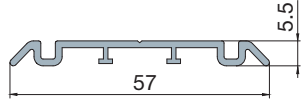



X = space available between top and bottom panel
X - 57 = door height

Rails

For Set 200



Screws for top rail are not supplied and depend on the application (cabinet, built-in cabinet).
Bottom rail is fixed with self-adhesive tape.
Rail is pre-drilled and ready to install.

		Rail length	Item number
<p>Top rail</p>  <p>Technical details</p> 	2000	610-9103-070-K1	
	2400	610-9106-070-K1	
	3000	610-9109-070-K1	
			<i>*other lengths upon special request</i>
Set consists of:			
<p>Bottom rail</p>  <p>Technical details</p> 	<p>Top rail</p> 	1 pc	
	<p>Bottom rail</p> 	1 pc	
 5 sets			

