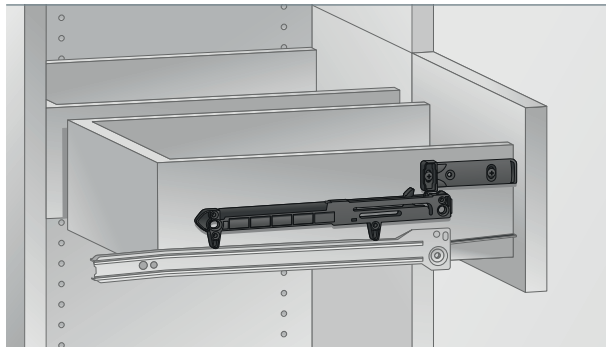
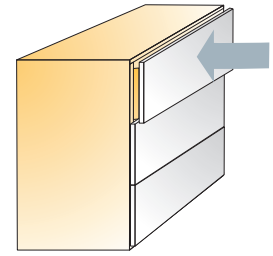


Titusoft for Drawers

Titusoft WD

Soft Closing System for Wooden Drawer

For wooden drawer with roller runners



Technical details

Titusoft WD

Titusoft mechanism

Item number

973-0X35 →

Grey

White

Activator

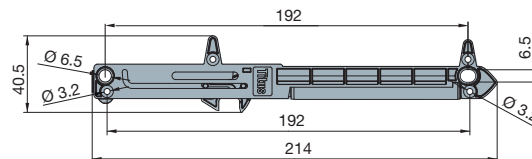
973-4451 →

380

350



Titusoft mechanism



Bag of 1

973-0X35-380-K2  120 Bags

- 1 Titusoft mechanism
- 1 activator
- 2 screws Ø3.5mm x 20mm
- 2 screws Ø3.5mm x 12mm
- 1 mounting instruction sheet

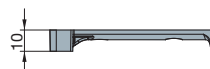
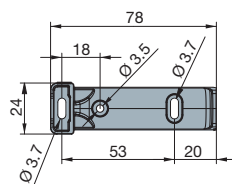
Bag of 2

973-0X35-380-K1  80 Bags

- 2 Titusoft mechanisms
- 2 activators
- 4 screws Ø3.5mm x 20mm
- 4 screws Ø3.5mm x 12mm
- 1 mounting instruction sheet



Activator



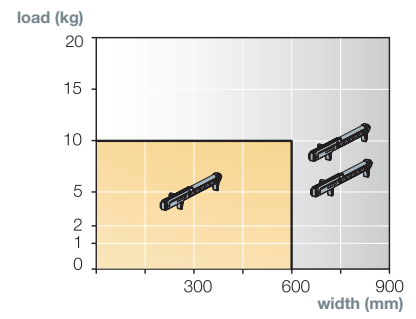
250 Pcs

200 Pcs (973-0X35 + activator)

Made of plastic

- Works with most roller runner drawer slides
- Easy, intuitive mounting
- Smooth, soft closing action independent of drawer hardware
- Optimal closing speed
- Non-handed design

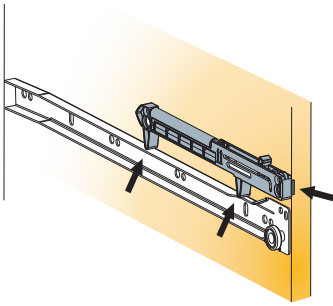
Capacity chart



Mount 1 or 2 Titusoft mechanisms depending on drawer weight and width

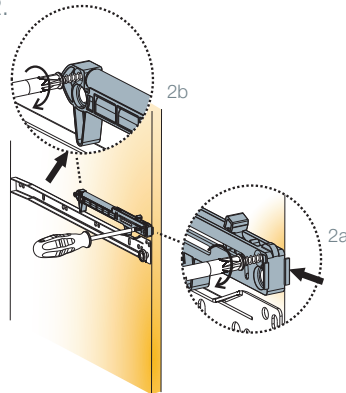
Mounting details

1.



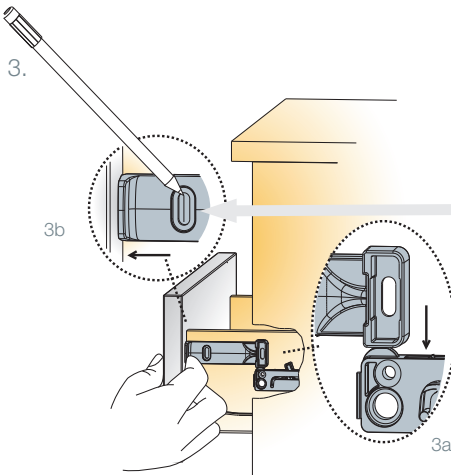
Position the Titusoft mechanism on the top of the drawer slide

2.



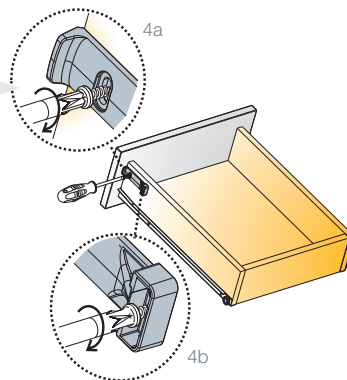
Fix with 2 screws L=20mm

3.



1. Rest the activator against the drawer front
2. Align the vertical position of the activator with the top of the Titusoft mechanism and mark the screw locations

4.



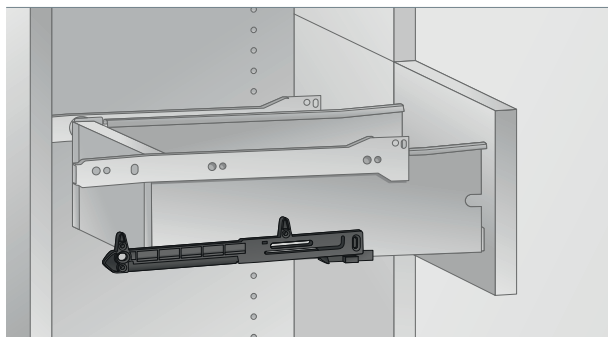
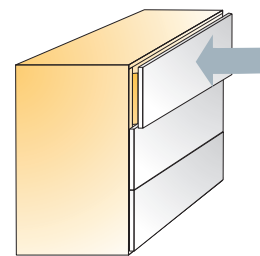
Fix with 2 screws L=12mm

A trial mounting is always recommended. Please contact Titus Group or your local distributor for further technical assistance.

Titusoft MD

Soft Closing System for Metal Box

For metal boxes



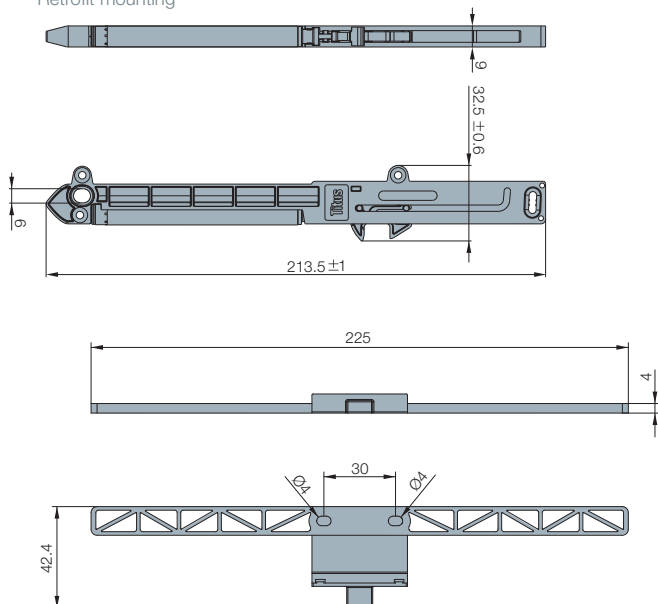
Titusoft MD



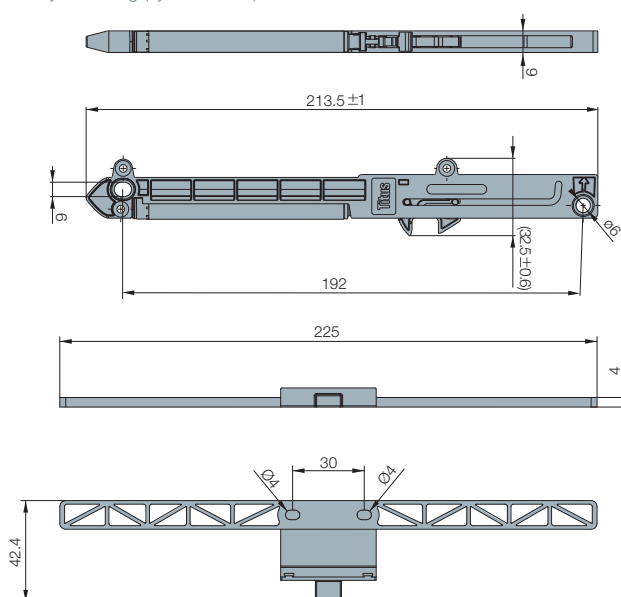
250 Pcs
150 Pcs (973-0X39 + activator) Made of plastic

Technical details

Retrofit mounting



Factory mounting (system holes)



Item number

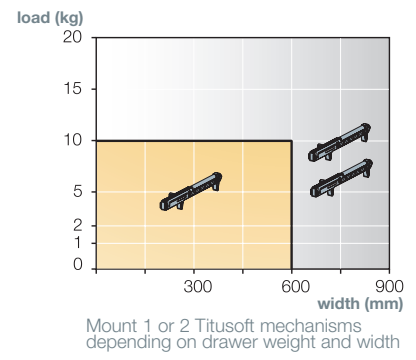
		Grey	White	Light blue
Titusoft mechanism for factory mounting	973-0X95 →	380		
Titusoft mechanism for retrofit mounting	973-0X39 →	380		309
Activator	973-4125 →		350	
Mounting jig	973-4126 →			

Bag of 1
973-0X39-380-K2 90 Bags
 · 1 Titusoft mechanism
 · 1 activator
 · 1 mounting jig
 · 4 screws
 · 1 mounting instruction sheet

Bag of 2
973-0X39-380-K1 60 Bags
 · 2 Titusoft mechanisms
 · 2 activators
 · 1 mounting jig
 · 8 screws
 · 1 mounting instruction sheet

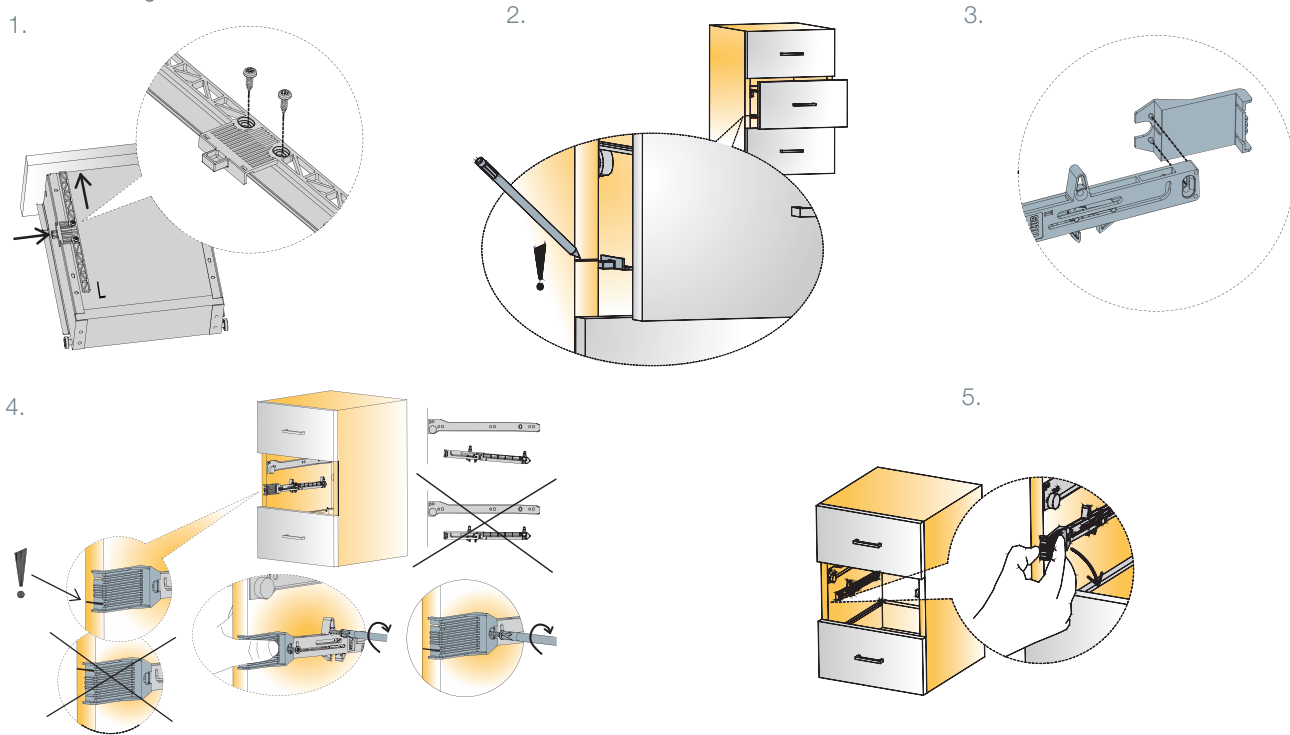
- One-for-all soft closing for single skin metal boxes
- Allows for easy factory mounting or retrofit application
- Intuitive positioning
- Preserve the life-time of the drawer

Capacity chart

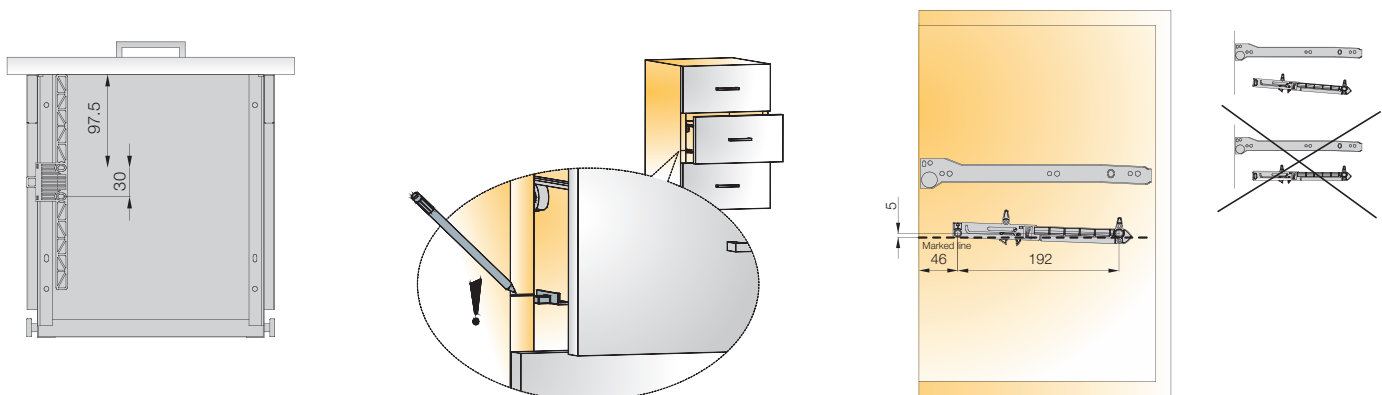


Mounting details

Retrofit mounting



Factory mounting

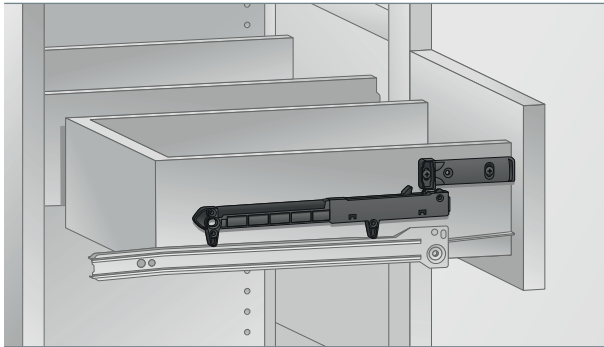
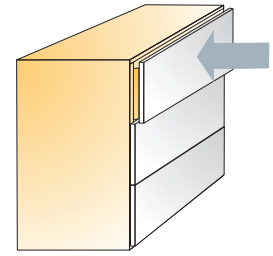


A trial mounting is always recommended. Please contact Titus Group or your local distributor for further technical assistance.

Titusoft FF

Soft Closing System for Face Frame Cabinets with Wooden Drawer

For wooden drawer
with roller runners

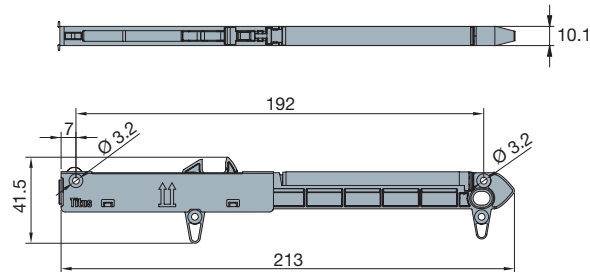


Technical details

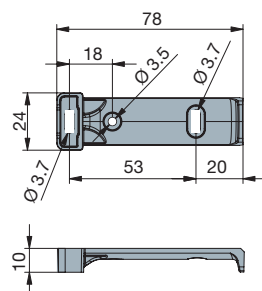
Titusoft FF



Titusoft mechanism



Activator



Item number

Titusoft
mechanism

973-0M99 →

Grey

380

White

Activator

973-4451 →

380

350

Bag of 1

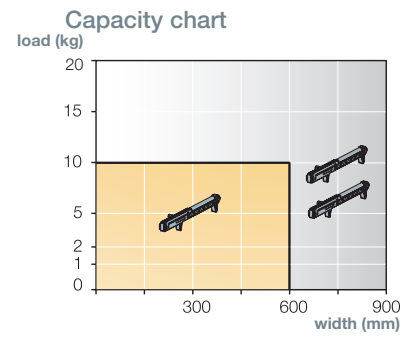
973-0M99-380-K1  300 Bags

- 1 Titusoft mechanism
- 1 activator grey
- 2 screws Ø3.5mm x 25mm
- 2 screws Ø3.5mm x 12mm
- 1 mounting instruction sheet

 250 Pcs

Made of plastic

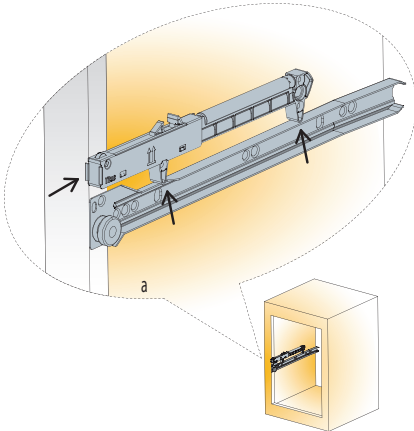
- Works with most roller runner drawer slides
- Easy, intuitive mounting
- Smooth, soft closing action independent of drawer hardware
- Non-handed design



Mount 1 or 2 Titussoft mechanisms depending on drawer weight and width

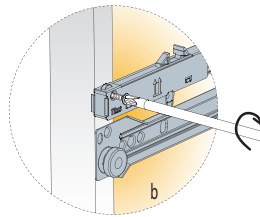
Mounting details

1.



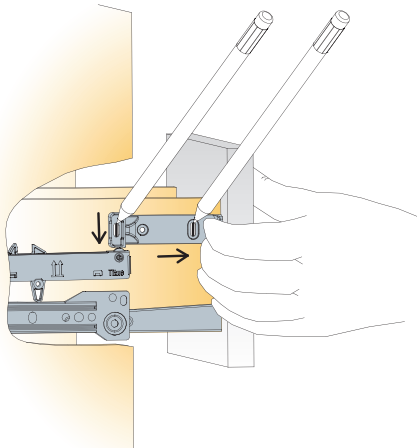
Position the Titussoft on the top of a drawer slide

2.



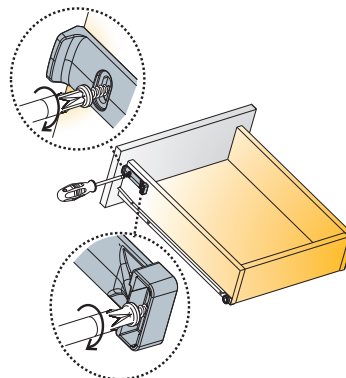
Screw the Titussoft mechanism to the face frame

3.



Align the activator with the top of the Titussoft mechanism and fix with two screws

4.



Fix with 2 (3) screws L=12mm

A trial mounting is always recommended. Please contact Titus Group or your local distributor for further technical assistance.

